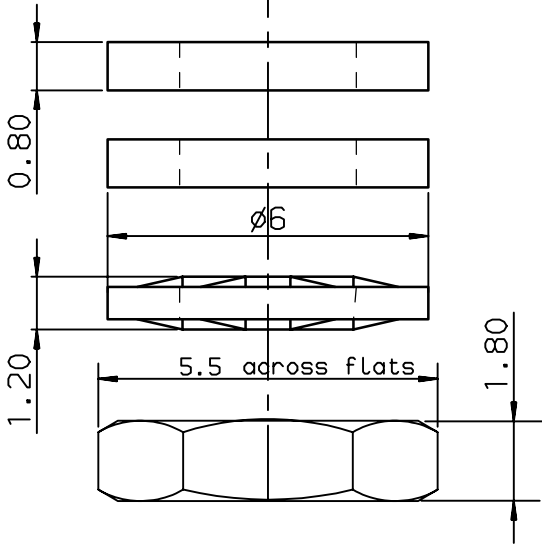
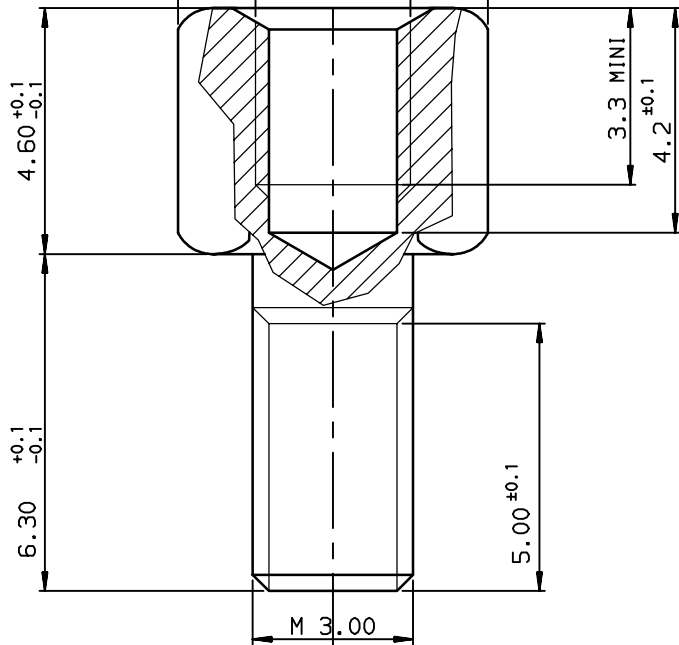


INTERNAL THREAD UNC 4.40

5 across flats



TECHNICAL CHARACTERISTICS :

Compensating washer: steel , tin plated .

Nuts : steel , tin plated .

Packaging : per 100 pieces .

Corrosion resistance : 24 hours exposure to salt spray .

PART NUMBER	Material female screw locks
863001017T	Brass, tin plated
86552154T	Steel, tin plated
PART NUMBER	Material female screw locks
863001017TLF	Brass, tin plated
86552154TLF	Steel, tin plated

NOTE:RoHS INFORMATIONS

- The "LF" products meet European union Directives and other country regulations as described in G5-22-008.
- Plating Sn (pure bright) over copper
- Packaging spec: see G5-14-920

European Views

www.fciconnect.com		surface ISO 1302	<input checked="" type="checkbox"/>	tolerance std ISO 406 ISO 1101	projection 	mm
TOLERANCES UNLESS OTHERWISE SPECIFIED						
Dr	JOUBERT	2002/03/12	ANGULAR	0.X	±0.1	size
Eng	PESSON	2002/03/12	LINEAR	0.XX	±0.1	A3
Chr	LEGARE	2002/03/12	0.XX' ±2'	0.XXX	±0.1	Scale
Appr	LEGARE	2002/03/12	Product family	D-SUB		10
ECN L506-0097						Spec ref -
FCI		title FEMALE SCREW LOCKS			dwg no	C01-8655-1557
-		-			Rev.	D
-		-			catalog no	CUSTOMER
-		-			sheet 1 of 1	

rev	ecn no	dr	date
B	-	JOU	2003/01/17
C	L505-0026	MPE	2005/07/08
D	L506-0097	LGO	2006/07/28
-	-	-	-
-	-	-	-
-	-	-	-
-	-	-	-



Copyright FCI.